



# NS3015

## LASER CUTTING SOLUTIONS

---

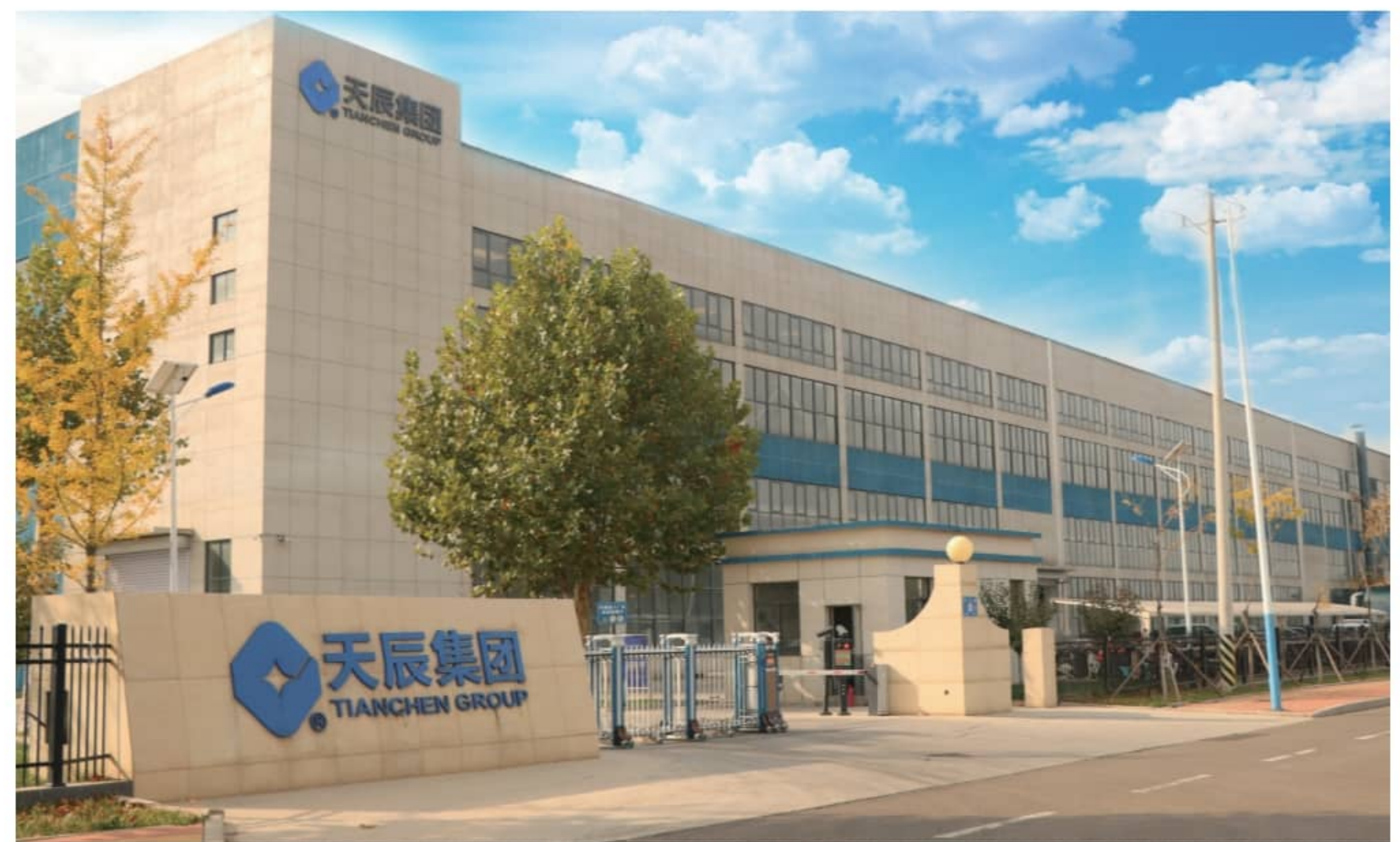
To provide global users with laser intelligent equipment solutions

Automation • Intelligence

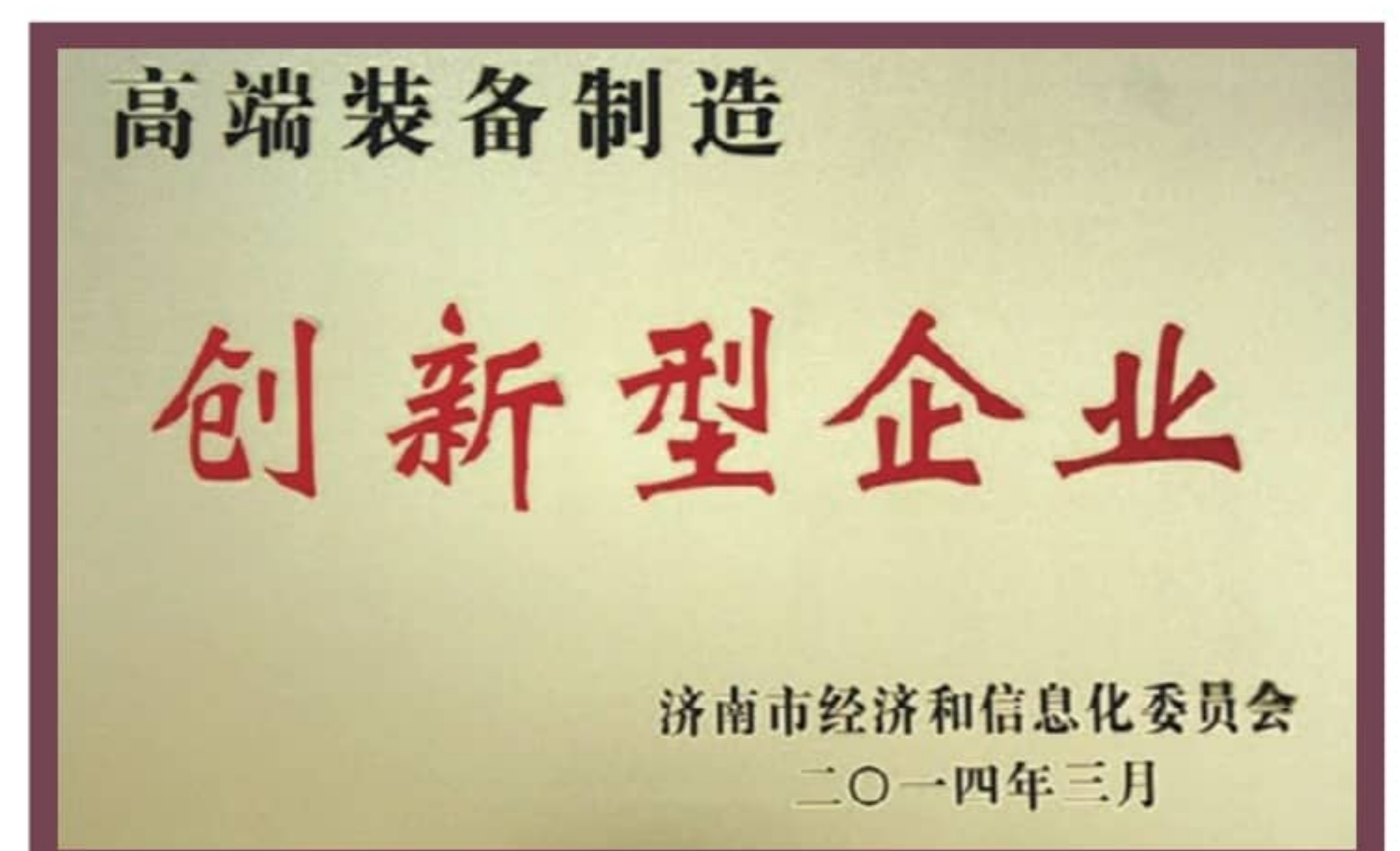
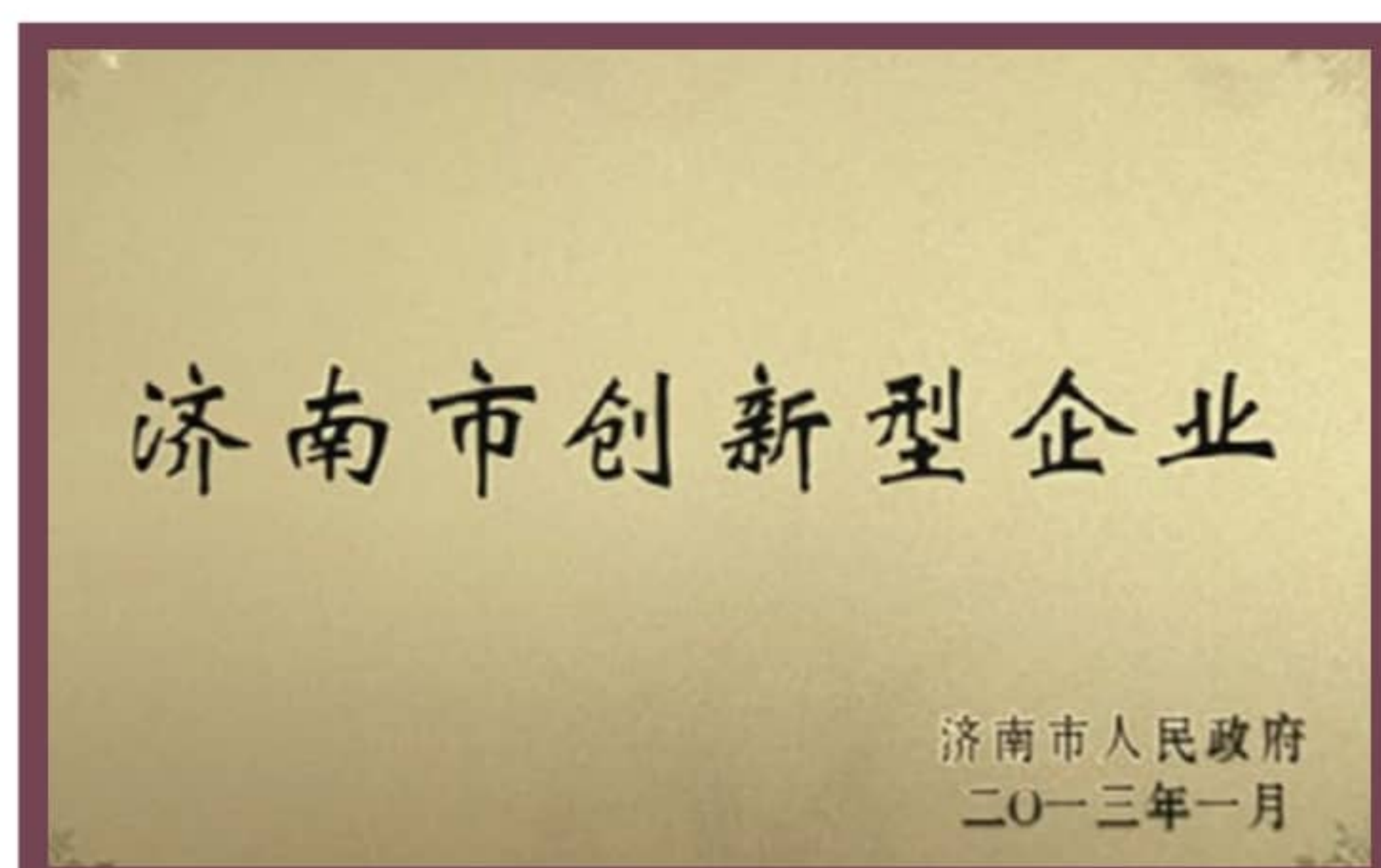


# COMPANY PROFILE

Jinan Tianchen Laser Technology Co., Ltd. focuses on creating high-quality Tianchen laser brand, specializing in the production of fiber laser cutting machine, metal laser cutting machine, laser tube cutting machine, laser tube plate integrated machine and other equipment, safety, durability, good service.



# ENTERPRISE QUALIFICATION



## strength

With more than 20 years of experience, we provide high quality equipment and services to meet customer needs.

## Quality

Improve the quality control system  
A number of professional qualifications

## innovate

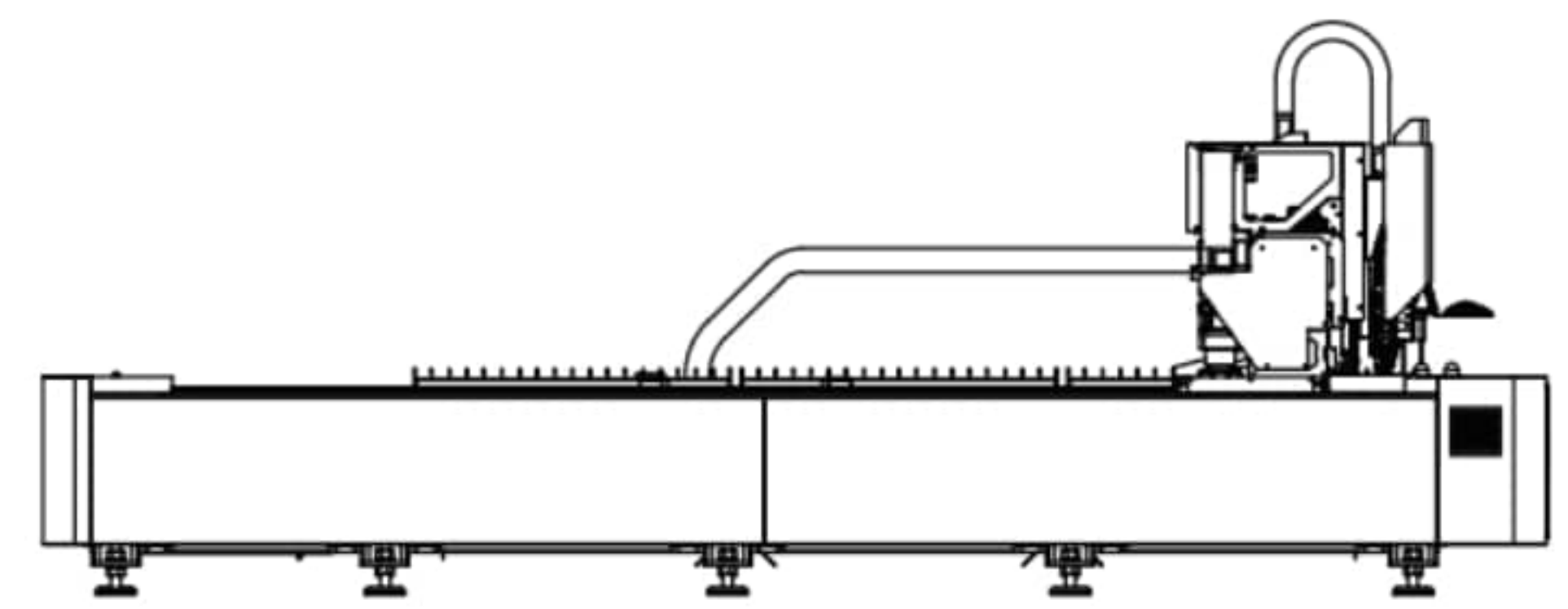
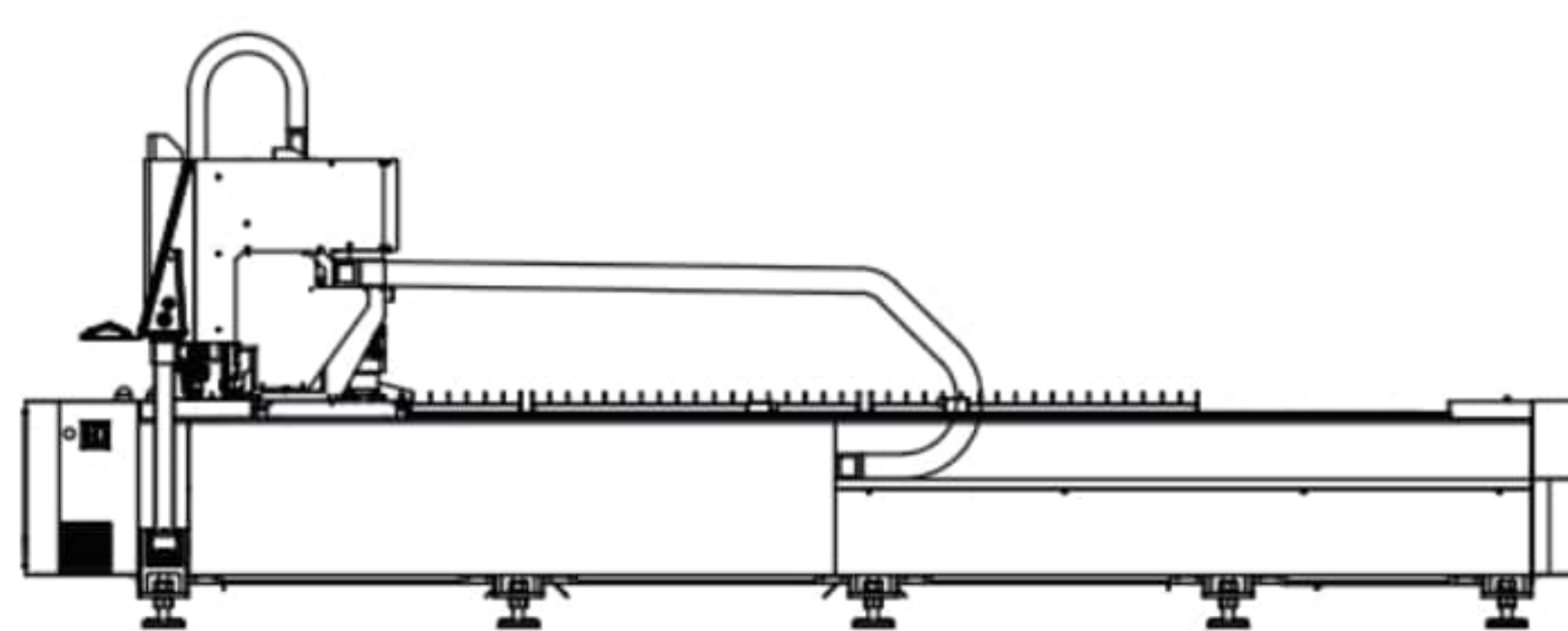
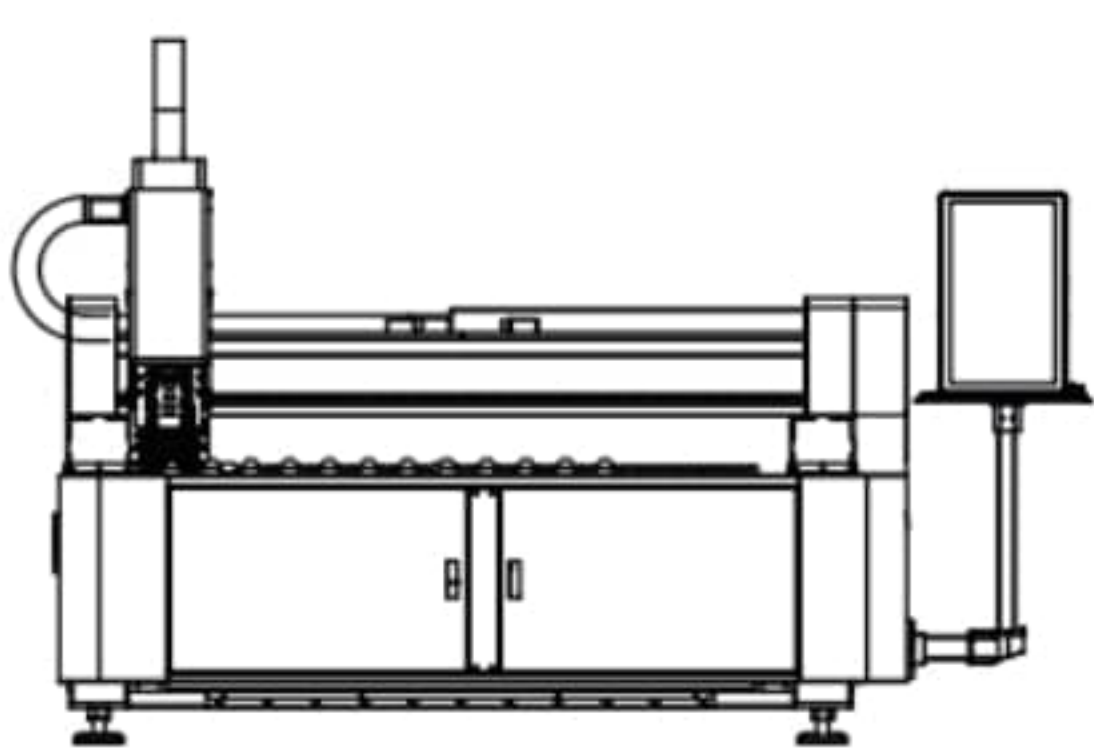
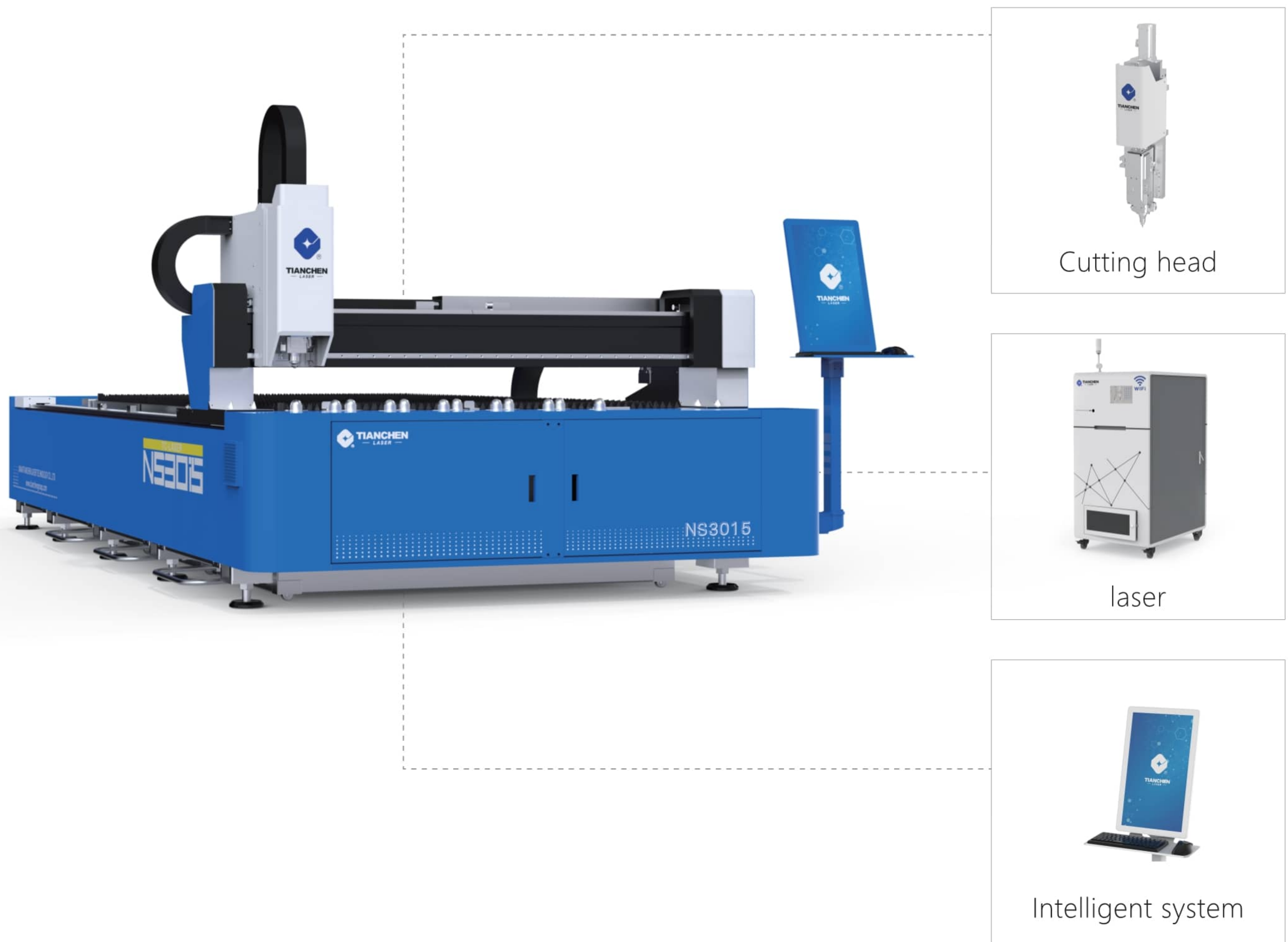
Market-oriented, new to ensure development, to change to achieve eternity.

## service

Full tracking service  
Thoughtful and timely after-sales support

## ▶ Product introduction

NS3015 is a fiber laser cutting machine independently developed by Tianchen Laser, with ultra-high stability, strong cutting ability, high-quality cutting effect and other comprehensive performance. Suitable for construction machinery, ships, special vehicles, petrochemical, pressure vessels and other fields.

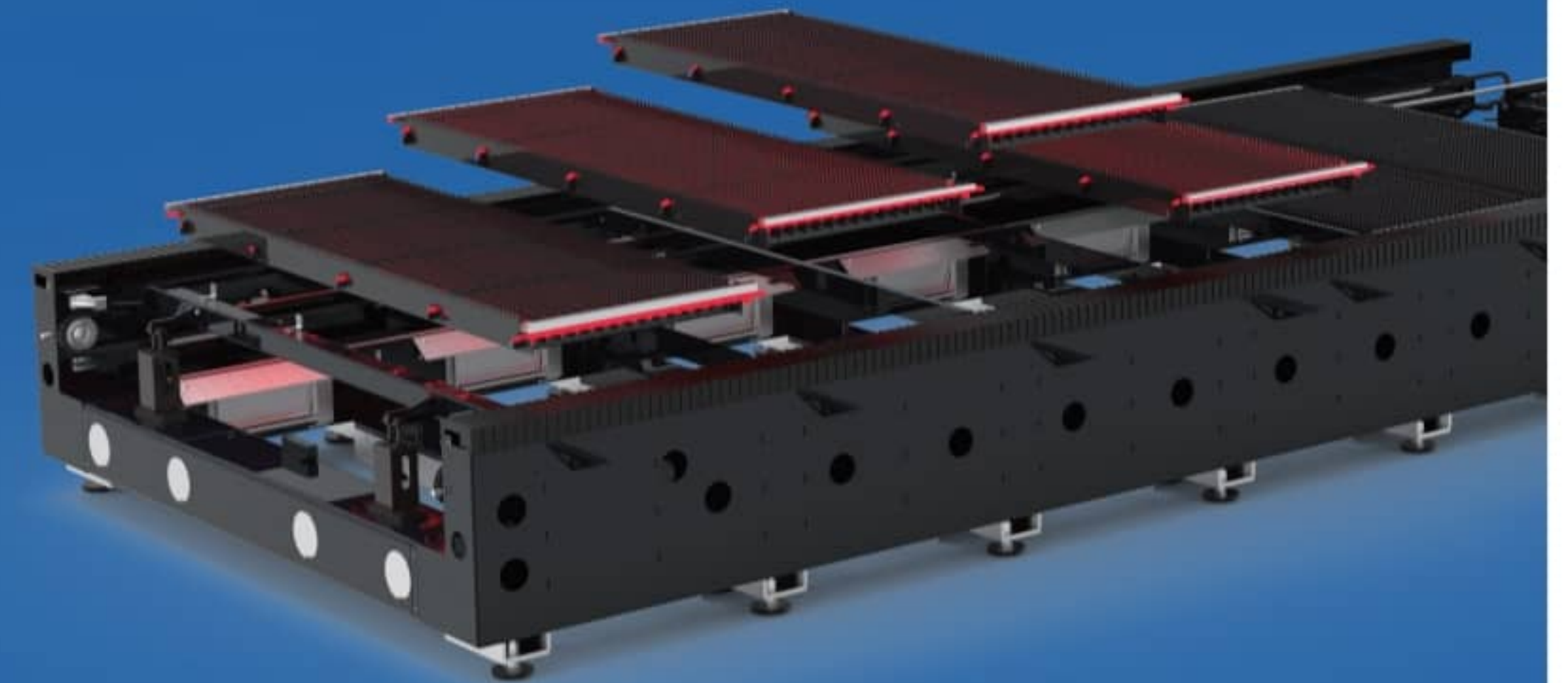


## ▶ Product picture



## ▶ Product characteristics

The countertop adopts modular structure and is easy to install



Dual channel intelligent partition  
dust removal, safety, environmental  
protection

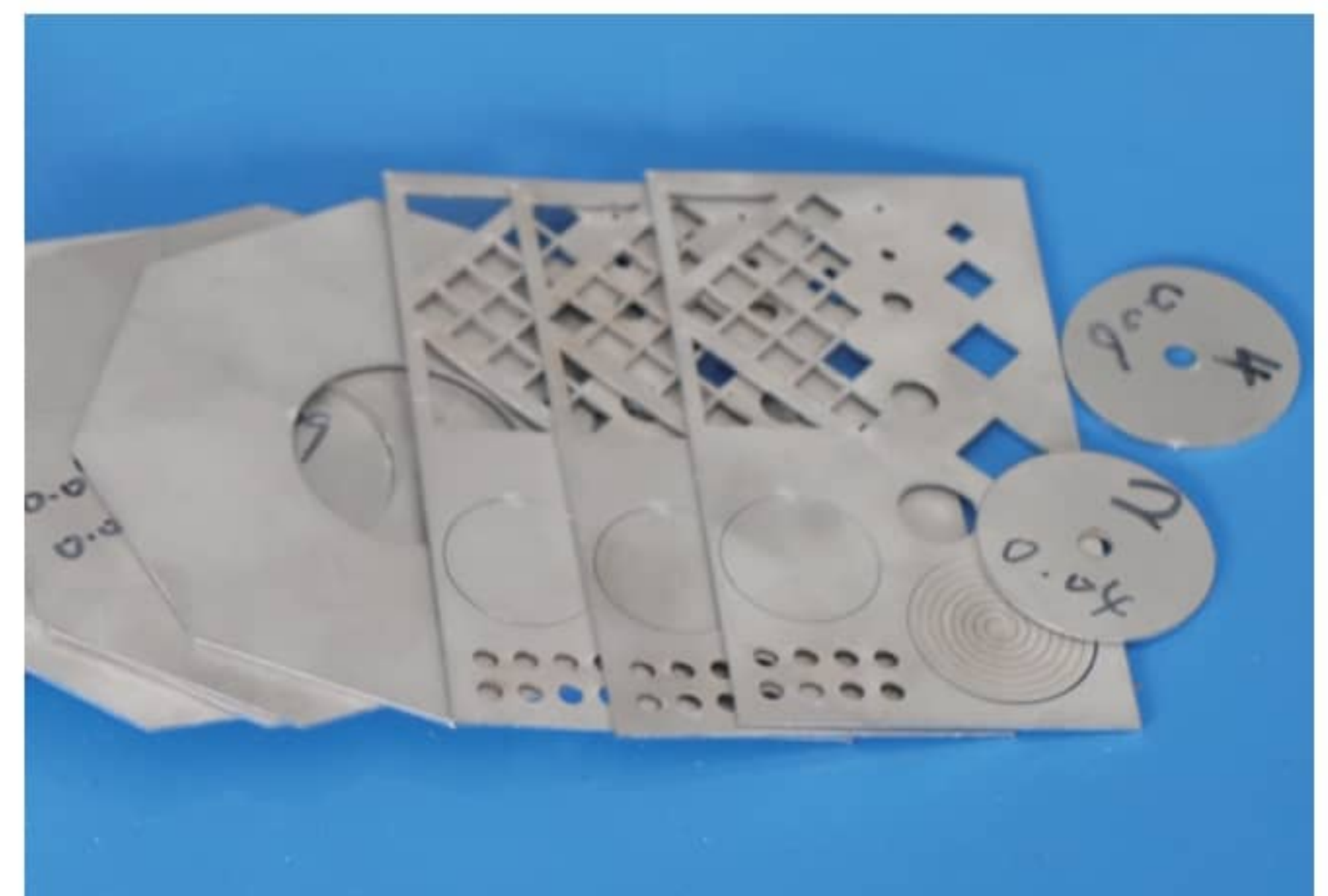
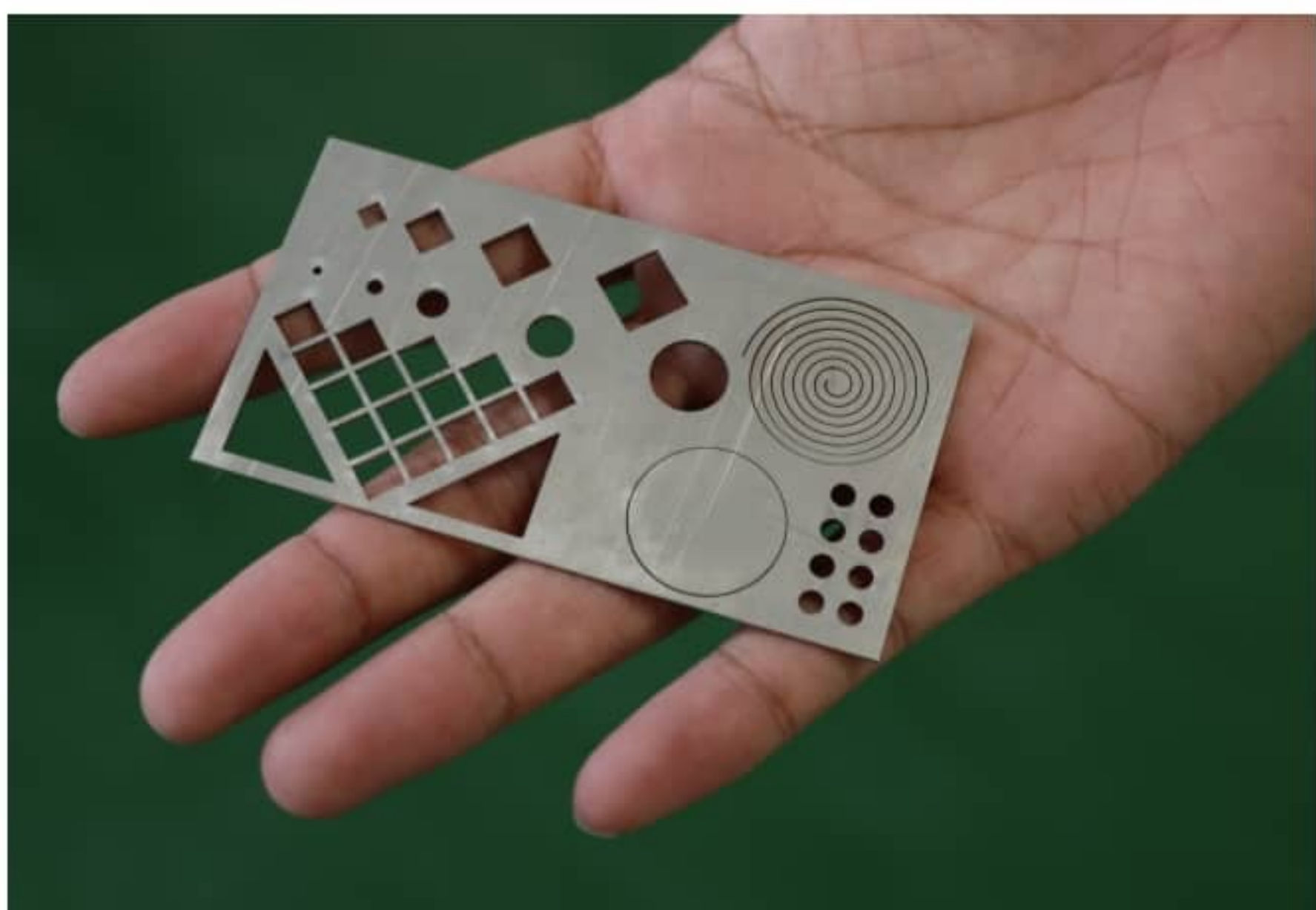
Beam independent design won the  
national patent



## ▶ Product parameter

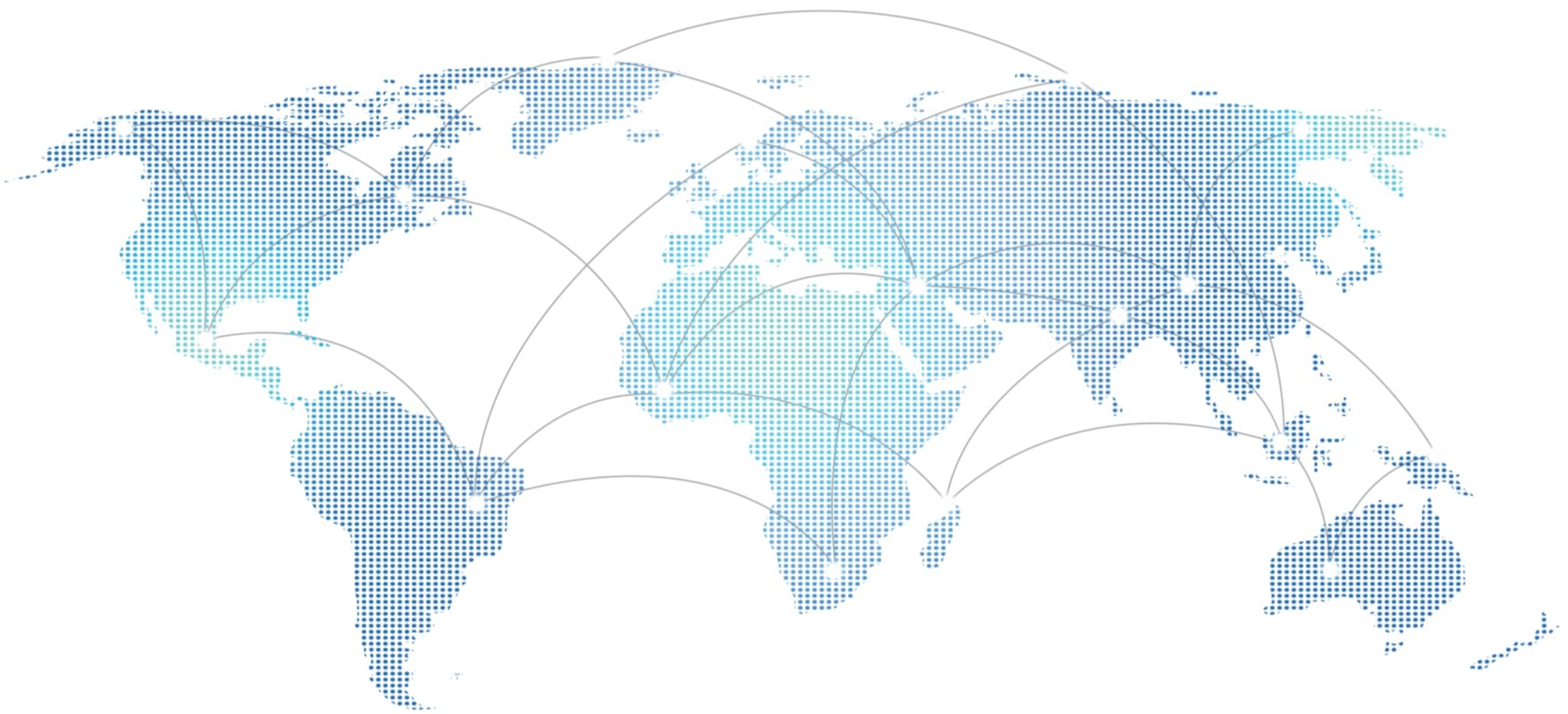
Product model	NS3015
Processing format(mm)	3048*1524mm
Positioning accuracy	0.05mm
Repeated positioning accuracy	0.03mm
Maximum operating speed	115m/min
Maximum acceleration	1.1G
Table bearing	800kg
Main engine size(mm)	4700*2155*1800mm
Machine weight	1.8T
Support power	1-3KW

## ▶ Cut sample display



# Fiber laser cutting thickness and speed meter

Cutting type	Cutting gas	thickness (mm)	1000W	1500W	2000W	3000W	4000W	6000W	8000W	10000W	12000W	
			Cutting speed m/min									
Carbon steel Two sides	Breath	3	2.8-3.0	2.9-3.2	3.4-3.6	4.0-4.2	4.0-4.3	4.2-4.5	4.2	4.0-4.2	4.0-4.2	
		4	2.2-2.4	2.4-2.6	3.1-3.2	3.4-3.7	3.5-3.7	3.5-3.7	3.5-4.0	3.3-3.6	3.3-3.6	
		5		1.8-2.0	1.9-2.2	2.7-3.0	3.0-3.2	3.2-3.3	3.7	3.2-3.3	3.2-3.3	
		6			2.0-2.2	2.6-2.9	2.6-2.9	2.6-3.0	3.2	2.7-3.0	2.7-3.0	
		8				2.1-2.3	2.0-2.3	2.4-2.5	2.7	2.1-2.4	2.1-2.4	
		10					1.8-2.0	2.2-2.3	2.2	2.2-2.4	2.2-2.4	
		12						1.9-2.0	1.7-2.0	1.7-1.9	1.7-1.9	
		14						1.4-1.7	1.5-1.9	1.6-1.7	1.6-1.7	
		16							1.5-1.6	1.5-1.7	1.5-1.7	
		18								1.2-1.3	1.2-1.3	
		20								1.1-1.3	1.1-1.3	
		22									1.0-1.2	
		Carbon steel Frosted finish	Breath	5	1.5-1.7							
6	1.2-1.4			1.6-1.8								
8	1.0-1.1			1.1-1.3	1.5-1.7							
10	0.75-0.85			0.9-1.0	1.2-1.4	1.4-1.6						
12	0.6-0.65			0.8-0.85	1.0-1.1	1.0-1.1	1.3-1.5					
14				0.5-0.6	0.9-1.0	0.85-0.95	1.2-1.4	1.3-1.5				
16				0.4-0.5	0.8-0.85	0.8-0.9	1.0-1.1	0.8-0.9	1.2-1.5			
14					0.5-0.6	0.65-0.75	0.9-1.0	0.7-0.8	0.75			
18					0.4-0.5	0.6-0.65	0.65-0.7	0.6-0.65	0.65			
20						0.5-0.6	0.55-0.6	0.55-0.6	0.55	0.8-0.9		
22						0.4-0.5	0.45-0.5	0.5-0.6	0.5-0.6	0.7-0.8	0.8	
25									0.3-0.4	0.3-0.4	0.35-0.45	0.5
30									0.2-0.3	0.3-0.4	0.3-0.4	0.35-0.45
35									0.2	0.2	0.25-0.28	0.3-0.4
40											0.2-0.23	0.3-0.4
45									0.18-0.23	0.2-0.25		
Stainless steel	Breath	1	15-20	20-25	25-30	30-35	40-43	45-47	50-60	50-65	50-65	
		2	6.5-7.0	7-8	10-11	13-15	19-21	30-32	30-35	30-38	32-38	
		3	2.5-3.0	4.0-4.5	5-6	7.0-7.5	11-13	18-20	20-23	23-30	23-30	
		4	1.4-1.6	2.1-2.3	3.0-3.5	4.5-5.5	6.5-7.0	12-13	13-15	18-22	22-25	
		6	0.5-0.6	0.7-0.85	1.3-1.5	2.5-3.0	3.0-3.5	5-6	7-8	8-9	13-15	
		8		0.5-0.6	0.6-0.7	1.0-1.3	1.5-1.7	3.8-4.2	4.5-5.0	5-6	8-9	
		10			0.55-0.6	0.7-0.8	0.9-1.1	1.8-2.0	3.3-3.5	3.5-4.0	6-7	
		12				0.55-0.65	0.7-0.8	1.1-1.3	2.0-2.5	2.7-3.0	3.8-4.5	
		14					0.35-0.4	0.9-1.0	1.7-2.0	2.0-2.4	3.2-3.8	
		16						0.8-0.85	1.0-1.5	11.5-2.0	2.2-2.5	
		20						0.5-0.6	0.85	1.0-1.3	1.4-1.7	
		25							0.4-0.5	0.5-0.6	0.7-0.9	
		30								0.4-0.5	0.4-0.5	
40								0.2-0.3	0.25-0.35			
50									0.2-0.3			



## Jinan Tianchen Laser Technology Co., LTD

Production base: Tianchen Intelligent Manufacturing

Industrial Park, No.88 Keyun Road, High-tech Zone, Jinan City

Contact number:0531-88877015

Official website:[www.tianchengroup.com](http://www.tianchengroup.com)

